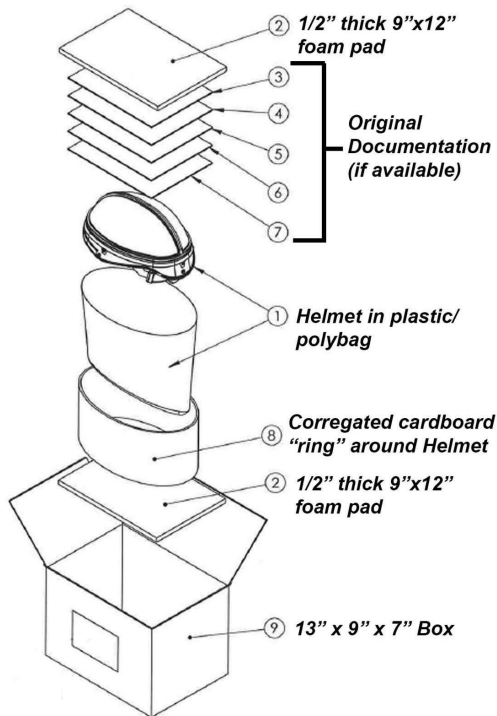


PREFERRED PACKING FOR HELMETS FOR RETURN TO SYNTECH

Syntech, Int'l Inc. | 17171 Daimler St. Irvine, CA 92614

A. Please return products in their original packaging if possible.



NOTE: Helmet cover for Motor/Fan must be re-attached to Helmet. Older Helmets were delivered with a clear plastic cover. Newer Helmets were delivered with a white "Cage".

OR

B. If original packaging is unavailable, closely replicate original packaging.

OR

C. If original packaging cannot be closely replicated, please follow 1 & 2 below:

1. Place some type of packaging "cushioning" around each helmet, bubble wrap, 3 layers of packing paper, etc.
2. Place no more than 4 Helmets in any one box and seal the box closed.

NOTE | IF A PALLET IS NEEDED:

- a) Do not extend boxes beyond the width and depth of the pallet, typically 48" x 40".
- b) Do not allow the total height, from the ground to the top of the top box, to exceed 70".
- c) Ensure the pallet is clearly marked with a "DO NOT STACK" sign.